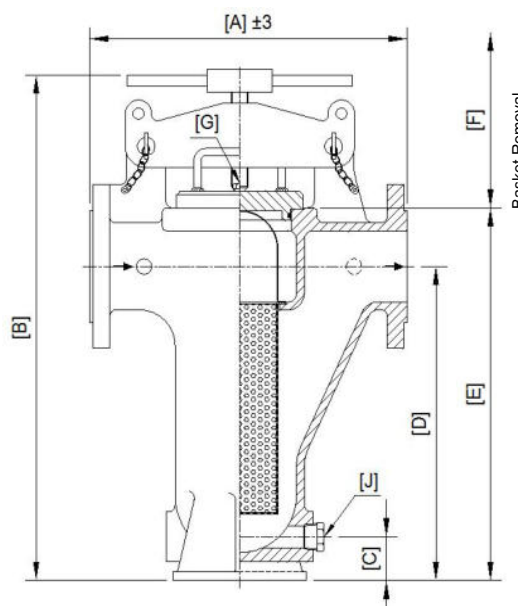


- Sizes :** DN25 to DN250
- Pressure:** PN40 – Flanges EN 1092-1
- Features:**
- Integrally cast housing
 - Quick-release closure
 - Red oxide finish (Carbon Steel only)
 - Ø 3 mm perforated hole plate as standard
 - Integral feet on 6" and over
- Advantages:**
- Tool-free opening and cleaning
 - Largest filtration area on the market
 - Very low pressure losses dp
 - Extended cleaning intervals
 - European design
- Options:**
- Special baskets and special gaskets
 - DP tappings / gauge
 - Magnetic basket insert
 - Flanged drains
 - Drain valves
 - Special finish / linings
- Standards:** PED 2014/68/EU
ASME B16.5 Flange dimensions
EN 10204 / NACE Certification
Design in accord. with ASME VIII Div. 1



All data is subject to confirmation at the time of order. Our policy is one of continual improvement and we reserve the right to amend details without prior notice.

Technical Data

Size		Dimensions						Basket Area [cm ²]	Vent [G] (NPT)	Drain [J] (NPT)	Weight (kg)
mm	Inch	A	B	C	D	E	F				
25	1"	232,0	345,0	28,0	190,0	225,0	200,0	241	¼"	¾"	14,0
40	1½"	240,0	420,0	35,0	254,0	297,0	275,0	375	¼"	¾"	20,5
50	2"	315,0	490,0	38,0	314,0	362,0	340,0	488	¼"	¾"	29,0
80	3"	360,0	570,0	40,0	342,0	411,0	375,0	652	⅜"	¾"	45,5
100	4"	440,0	695,0	47,0	426,0	508,0	450,0	1088	⅜"	1"	90,0
150	6"	600,0	990,0	95,0	619,0	749,0	630,0	2151	½"	1½"	230,0
200	8"	726,0	1190,0	109,5	787,0	952,0	800,0	3973	½"	1½"	450,0
250	10"	870,0	1415,0	120,0	908,0	1103,0	940,0	5304	½"	1½"	675,0

Materials of Construction

Item	Carbon Steel	Stainless Steel
Strainer body (cast)	ASTM A216 WCB (~1.0619)	ASTM A351 CF8M (~1.4408)
Strainer cover*	ASTM A516 Gr60 / A216 WCB	ASTM A240 316 / A351 CF8M
Strainer basket	Stainless Steel 316 (Ø 3 mm perforated hole plate as standard / to customer specification)	
Cover gasket (O-Ring)	Nitrile as standard / to customer specification	
Vent plug	ASTM A105N (~1.0460)	ASTM A182 F316 (~1.4404)
Drain plug	ASTM A105N (~1.0460)	ASTM A182 F316 (~1.4404)
Strongback	ASTM A216 WCB (~1.0619)	ASTM A351 CF8M (~1.4408)
Screw handle	ASTM A193 B7M – zinc plated / ST.ST. 316 Handle	
Quick release pin	BS 970 080 M40 – zinc plated	
Linch pin	Carbon steel – zinc plated	

* The strainer cover may be furnished from plate or casting depending upon size / availability.