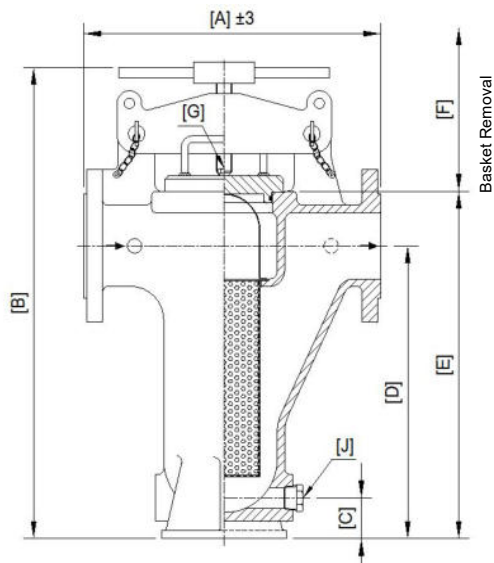


- Sizes :** DN25 to DN300
- Pressure:** PN16 – Flanges EN 1092-1
- Features:**
- Integrally cast housing
 - Quick-release closure
 - Red oxide finish (Carbon Steel only)
 - Ø 3 mm perforated hole plate as standard
 - Integral feet on 6" and over
- Advantages:**
- Tool-free opening and cleaning
 - Largest filtration area on the market
 - Very low pressure losses dp
 - Extended cleaning intervals
 - European design
- Options:**
- Special baskets and special gaskets
 - DP tappings / gauge
 - Magnetic basket insert
 - Flanged drains
 - Drain valves
 - Special finish / linings
- Standards:** PED 2014/68/EU
 ASME B16.5 Flange dimensions
 EN 10204 / NACE Certification



All data is subject to confirmation at the time of order. Our policy is one of continual improvement and we reserve the right to amend details without prior notice.

Technical Data

Size		Dimensions						Basket Area [cm ²]	Vent [G] (NPT)	Drain [J] (NPT)	Weight (kg)
mm	Inch	A	B	C	D	E	F				
25	1"	232,0	345,0	28,0	190,0	225,0	200,0	241,0	¼"	¾"	14,0
40	1½"	240,0	420,0	35,0	254,0	297,0	275,0	375,0	¼"	¾"	20,5
50	2"	315,0	490,0	38,0	314,0	362,0	340,0	488,0	¼"	¾"	28,0
80	3"	360,0	570,0	40,0	342,0	411,0	375,0	652,0	⅜"	¾"	44,0
100	4"	440,0	695,0	47,0	426,0	505,0	450,0	1088,0	⅜"	1"	67,0
150 *	6" *	600,0	990,0	95,0	619,0	734,0	630,0	2151,0	½"	1½"	170,0
200	8"	705,0	1190,0	112,5	787,0	927,0	800,0	3973,0	½"	1½"	305,0
250	10"	845,0	1415,0	120,0	908,0	1077,0	940,0	5304,0	½"	1½"	544,0
300	12"	1005,0	1570,0	175,0	1152,0	1367,0	1180,0	8295,0	½"	2"	900,0

Materials of Construction

Item	LT Carbon Steel	Carbon Steel	Stainless Steel
Strainer body (cast)	ASTM A352 LCB/LCC Dual Cert	ASTM A216 WCB (~1.0619)	ASTM A351 CF8M (~1.4408)
Strainer cover**	ASTM A352 LCB/LCC Dual Cert	ASTM A516 Gr60 / A216 WCB	ASTM A240 316 / A351 CF8M (~1.4408)
Strongback	ASTM A352 LCB/LCC Dual Cert	ASTM A216 WCB (~1.0619)	ASTM A351 CF8M (~1.4408)
Drain plug	ASTM A350 LF2	ASTM A105N (~1.0460)	ASTM A182 F316 (~1.4404)
Vent plug	ASTM A350 LF2	ASTM A105N (~1.0460)	ASTM A182 F316 (~1.4404)
Screw handle	ASTM A193 B7M – zinc plated / ST.ST. handle		
Cover gasket	Nitrile as standard / to customer specification (O-Ring)		
Strainer basket	Stainless Steel 316 (Ø 3 mm perforated hole plate as standard / to customer specification)		
Quick release pin	BS 970 080 M40 - zinc plated		
Linch pin	Carbon steel – zinc plated		

* Will be delivered as 6" ASME150 RF – Flanges are compatible to DN150 PN16

** The strainer cover may be furnished from plate or casting depending upon size / availability.