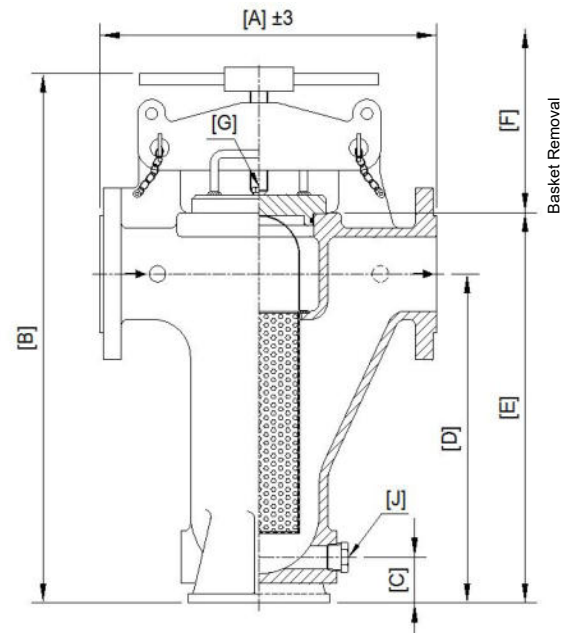


- Sizes :** 2" to 12" Nominal Bore
- Pressure:** ASME150
- Features:**
- 5 µm, 10 µm or 25 µm filter bags (replaceable)
 - Ø6 mm perforated filter bag basket
 - High dirt holding capacity
 - Integrally cast housing
 - Quick-release closure
 - Red oxide finish (Carbon Steel only)
 - Integral feet on 6" and over
- Advantages:**
- Tool-free opening and cleaning
 - Large filtration area
 - Low pressure losses dp
 - Extended cleaning intervals
- Options:**
- Special baskets and special gaskets
 - DP tappings / gauge
 - Flanged drains
 - Drain valves
 - Special finish / linings
- Standards:**
- PED 2014/68/EU
 ASME B16.5 Flange dimensions
 EN 10204 / NACE Certification



All data is subject to confirmation at the time of order. Our policy is one of continual improvement and we reserve the right to amend details without prior notice.

Technical Data

Size		Dimensions						Basket Area [cm ²]	Vent [G] (NPT)	Drain [J] (NPT)	Weight (kg)
mm	Inch	A	B	C	D	E	F				
50	2"	315,0	490,0	38,0	314,0	362,0	340,0	488,0	¼"	¾"	27,5
80	3"	365,0	570,0	40,0	342,0	411,0	375,0	652,0	⅜"	¾"	47,5
100	4"	445,0	695,0	47,0	426,0	505,0	450,0	1088,0	⅜"	1"	70,0
150	6"	600,0	990,0	95,0	619,0	734,0	630,0	2151,0	½"	1½"	170,0
200	8"	715,0	1190,0	112,5	787,0	927,0	800,0	3973,0	½"	1½"	330,0
250	10"	855,0	1415,0	120,0	908,0	1077,0	940,0	5304,0	½"	1½"	520,0
300	12"	1015,0	1570,0	175,0	1152,0	1367,0	1180,0	8295,0	½"	2"	910,0

Materials of Construction

Item	Carbon Steel	Stainless Steel
Strainer body (cast)	ASTM A216 WCB (~1.0619)	ASTM A351 CF8M (~1.4408)
Strainer cover	ASTM A216 WCB (~1.0619)	ASTM A351 CF8M (~1.4408)
Strongback	ASTM A216 WCB (~1.0619)	ASTM A351 CF8M (~1.4408)
Drain plug	ASTM A105N (~1.0460)	ASTM A182 F316 (~1.4404)
Vent plug	ASTM A105N (~1.0460)	ASTM A182 F316 (~1.4404)
Screw handle	ASTM A193 B7M – zinc plated / ST.ST. handle	
Cover gasket	Nitrile as standard / to customer specification (O-Ring)	
Bag filter basket	Stainless Steel 316 (Ø6 mm perforated hole plate as standard / to customer specification)	
Filter bag insert	Polypropylene (5µm, 10µm or 25µm / to customer specification)	
Quick release pin	BS 970 080 M40 - zinc plated	
Linch pin	Carbon steel – zinc plated	