

Sizes : 14" (DN350) to 36" (DN900) Nominal Bore

Pressure: ASME150 / PN16

Flanges: ASME B16.5 / B16.47 Serie A
EN 1092-1 (except DN750)

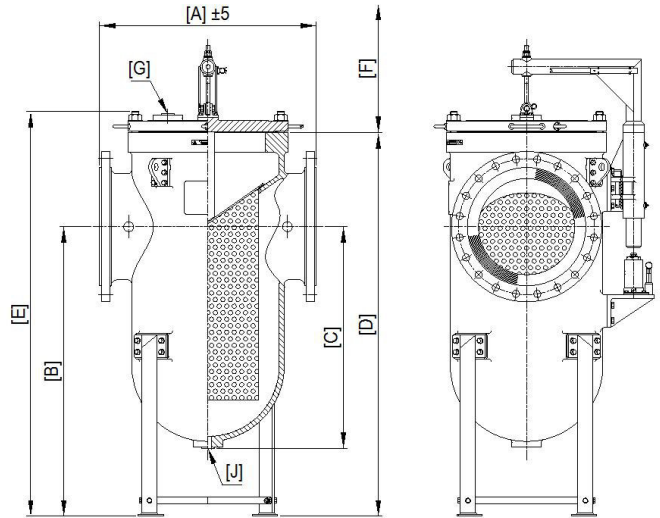
Features:

- Integrally cast housing
- Bolted cover
- Red oxide finish (Carbon Steel only)
- Ø 6 mm perforated hole plate as standard
- Bolt-On leg assembly as standard
- Flanged drain / vent as standard
- Cover lifting eyes as standard
- Bolt-On lifting lugs as standard
- European Design

Options:

- Special baskets and special gaskets
- DP tappings / gauge
- Legs: longer / shorter / removed
- Plugged drain / vent
- Drain / vent blind flanges / valves
- Davit arm for aiding cover removal
- Special finish / linings

Standards: PED 2014/68/EU
CE-Marking
EN 10204 certificates
NACE MR-01-75 certification



All data is subject to confirmation at the time of order. Our policy is one of continual improvement and we reserve the right to amend details without prior notice.

Technical Data

Size		Dimensions						Basket Area [cm ²]	Vent [G] (Flanged)	Drain [J] (Flanged)	Weight * (kg)
mm	Inch	A	B	C	D	E	F				
350	14"	850,0	1150,0	878,0	1525,0	1610,0	1275,0	10000	1"	1"	750
400	16"	850,0	1150,0	878,0	1525,0	1610,0	1275,0	10000	1"	1"	775
450	18"	1060,0	1500,0	1119,0	1945,0	2040,0	1575,0	15975	2"	2"	1400
500	20"	1060,0	1500,0	1119,0	1945,0	2040,0	1575,0	15975	2"	2"	1450
600	24"	1275,0	1750,0	1355,0	2265,0	2380,0	1875,0	23400	2"	2"	2375
750	30"	1590,0	2100,0	1717,0	2725,0	2865,0	2350,0	37250	2"	2"	4725
900	36"	1910,0	2450,0	2071,0	3185,0	3340,0	2750,0	54100	2"	2"	8050

Materials of Construction

Item	LT Carbon Steel	Carbon Steel
Strainer Body (cast)	ASTM A352 LCB/LCC Dual Cert	ASTM A216 WCB (~1.0619)
Strainer Cover (cast)	ASTM A352 LCB/LCC Dual Cert	ASTM A216 WCB (~1.0619)
Cover Stud Bolts	ASTM A320 L7M – zinc plated	ASTM A193 B7M – zinc pl.
Cover Full Nuts	ASTM A194 Gr.7M – zinc plated	ASTM A194 2HM – zinc pl.
Cover Washers	Carbon Steel - zinc plated	
Cover Gasket	Spiral Wound SS 316 - graphite / to customer specification	
Screen (perforated)	SS 316 (~1.4404) (Ø 3 mm perforated hole plate as standard / to customer specification)	
Leg Assembly	Carbon Steel – hot dip galvanized	

*Weight excluding lifting davit