



Application

Rubber Expansion Joints are designed to compensate axial, angular and lateral deviations of the pipe geometry due to e.g. assembly misalignments. Furthermore they are installed to absorb vibrations and noises, they serve to compensate expansions caused by variations of temperature and they are easily to remove when revising the pipeline. Hence they are indispensable in pipeline construction.

Operational areas:

- Pipes
- Pressure work pipes
- Flue gas and air ducts

Applicable fluids:

- Water
- Warm water
- Seawater
- Weak acids
- Alkalies
- Additional fluids upon request

Available flange drillings:

- DIN
- ANSI

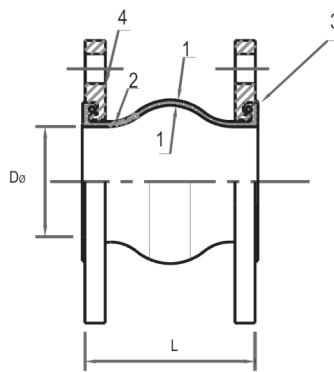
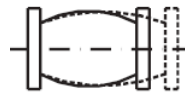
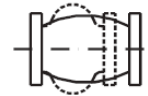


Figure 2: Construction

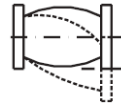
Design / Operation



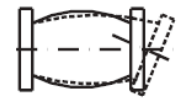
Elongation



Compression



Transverse Deflection



Angular Deflection

Nr.	Component	Material – outside/inside
1	Body	Neoprene / Neoprene EPDM / EPDM Neoprene / Nitrile Neoprene / Hypalon (CSM**) Neoprene / Viton
2	Reinforced	multi-layer textile
3	Wire	hard steel wire
4	Flange	forged steel, galvanized stainless steel various drilling available

* An inner ring is necessary for vacuum under 660 mm Hg. Information needed for offer/order.

** Chlorine-Sulphate-Polyethylene

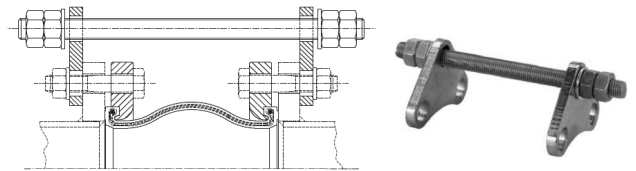


Figure 3: Tie Rods

Pressure Reduction at higher Temperatures

Temperature T [°C]	80	85	90	95	100	105
Pressure [bar]	16	14,7	13,3	12,0	10,7	9,6

Technical Data

DN [mm]	DN [inch]	L [mm]	Axial Compression [mm]	Axial Elongation [mm]	Transverse Deflection [mm]	Angular Deflection	Max. Pressure at 80°C [bar]	Max. Temperature [°C]	Vacuum Rating [bar _{abs}]	Weight [kg]
25	1	130	13	9	13	15°	16	105	0,88	2,2
32	1¼	130	13	9	13	15°	16	105	0,88	3,2
40	1½	130	13	9	13	15°	16	105	0,88	3,8
50	2	130	13	9	13	15°	16	105	0,88	4,8
65 *	2½	130	13	9	13	15°	16	105	0,88	5,8
80	3	130	13	9	13	15°	16	105	0,88	7,2
100	4	130	13	9	13	15°	16	105	0,88	7,8
125	5	130	13	9	13	15°	16	105	0,88	9,7
150	6	130	13	9	13	15°	16	105	0,88	13,2
200	8	130	13	9	13	15°	10	105	0,88	17,9
200	8	130	13	9	13	15°	16	105	0,88	17,9
250	10	130	13	9	14	10°	10	105	0,88	24,5
250	10	130	13	9	14	10°	16	105	0,88	24,5
300	12	130	13	9	15	10°	10	105	0,88	31,0
300	12	130	13	9	15	10°	16	105	0,88	31,0

* Flange with 4 drillings