

## Flow Measurement

### SITRANS F US Inline

#### Transmitter SITRANS FUS060

##### Overview



SITRANS FUS060 is a transit time based transmitter designed for ultrasonic flowmetering with dedicated sensors in the FUS inline series up to DN 4000. SITRANS FUS060 is engineered for high performance and is suitable for 1-path, 2-path and 4-path flowmeters.

##### Benefits

- Superior signal resolution for optimum turn down ratio
- Simple menu-based local operation with two-line display and four optical input elements, for unlimited use in potentially explosive atmospheres
- Self-monitoring and diagnostic
- Operate up to 4 paths
- ATEX II 2 G Ex dem [ia/ib] IIC T6/T4/T3 Gb
- Remote installation up to 120 m from sensor
- 1 analog output (4 to 20 mA) standard with HART-protocol, 1 digital frequency or pulse output, 1 relay output for limit, alarms, flow direction
- PROFIBUS PA Profile 2, 1 digital frequency or pulse output

##### Design

The transmitter type FUS060 is designed for remote installation in non-hazardous or hazardous areas.

The transmitter is designed for use in a flowmeter system together with sensors type SONOKIT, SONO 3300 and SONO 3100.

The FUS060 is ordered as part of a complete flowmeter system. It can be ordered separately as spare part and manually programmed with the sensor data.

##### Application

The main application for flowmeters with the transmitter SITRANS FUS060 is measurement volume of flow within the general, petrochemical and chemical industries, power engineering and water and waste water, as well as various types of oils and liquid gases.

##### Integration

The transmitter output is often used as input for an automation system or as input for systems of remote reading.

The SITRANS FUS060 transmitter offers current, pulse and relay outputs as standard output functions and supports HART or Profibus PA communication.

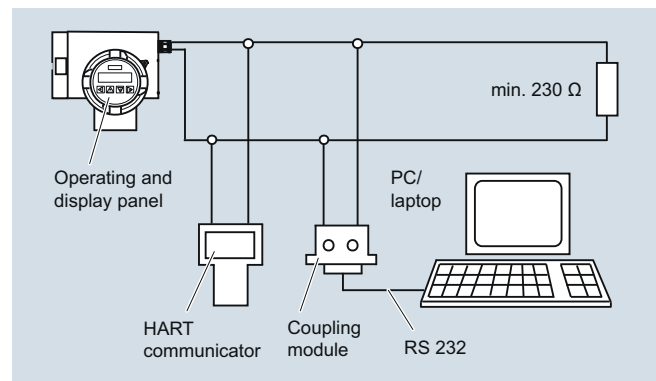
The settings of the transmitter output functions are individually programmed via keypad and display menu.

##### Function

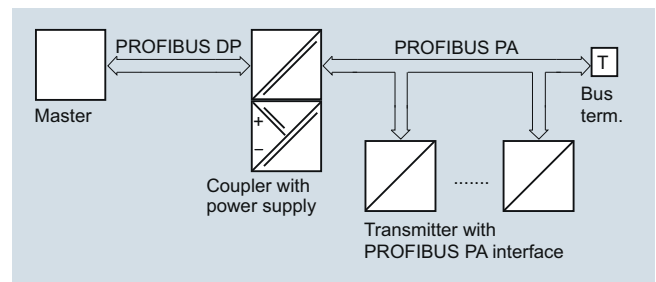
###### Displays and keypad

Operation of the SITRANS FUS060 transmitter can be carried out using:

- Keypad and display unit
- HART communicator
- PC/laptop and SIMATIC PDM software via HART communication
- PC/laptop and SIMATIC PDM software using PROFIBUS PA communication

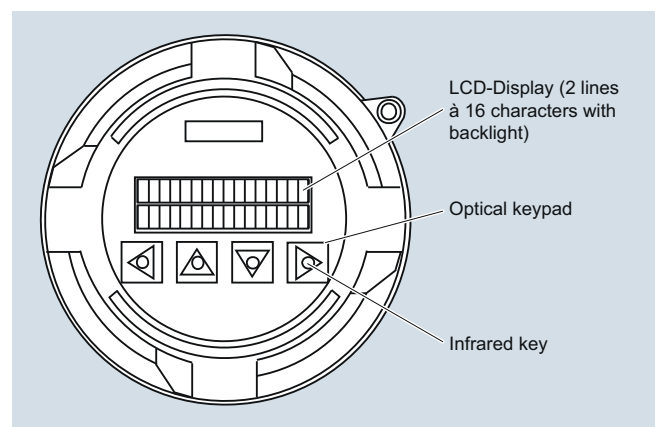


HART communication



PROFIBUS PA communication

The operating and display panel permits simple operation without supplementary equipment. It is not necessary to open the housing. All changes to a setting can therefore also be carried out in the potentially explosive atmosphere.



Operating and display panel

The individual functions and parameters are selected using a hierarchical, multi-language input menu and four infrared keys. The parameters can be specifically selected and modified using codes, e.g.:

- Operating parameters such as measuring range, physical dimensions, device information
- Limits for flow, totalizer, ultrasonic velocity or ultrasonic amplitude
- Noise suppression using damping, error stages and hysteresis
- Display parameters (freely-configurable display)
- Display in volume or mass dimensions
- Density as constant input value for conversion of volume into mass dimensions
- Forward/backward measurement
- Flow direction
- Diagnostics functions and control values
- Functions of the PROFIBUS PA output: flow, net quantity (volume or mass), ultrasonic velocity, ultrasonic amplitude, forward quantity (volume or mass), backward quantity (volume or mass)
- Functions of the analog output: flow, ultrasonic velocity or ultrasonic amplitude
- Functions of digital output 1: pulse output, frequency output, limit, flow direction or device status
- Functions of digital output 2: limit, flow direction or device status
- Simulation of output signal via analog output, digital output 1 and digital output 2

The HART protocol is implemented via the analog output (current output). Using this communication facility, the device can be parameterized with a PC/laptop and SIMATIC PDM software in addition to local operation.

In the version with PROFIBUS PA, the analog output is replaced by the digital PROFIBUS PA output. The device can then be parameterized via PROFIBUS communication and with SIMATIC PDM in addition to local operation.

#### Technical specifications

##### Input

Measurement	Flow by measuring the transit time difference of ultrasonic signals through ultrasonic transducers in DN 100 (4") ... 3000 (120") 2-path sensor pipes (depending on selected size, 1-path or 4-path special solutions are possible).
Nominal diameters and number of paths	2-path DN 100 (4") ... DN 3000 (120") (depending on size, optionally also 1-path and 4-path)
Max. cable length	120 m (395 ft) (shielded coaxial cable). For Ex version the transducer cable length is restricted to 3 m (9.84 ft) in order to meet requirements for electrical immunity. For systems with sizes $\geq$ DN 1500 (60") cable length is recommended to be max. 30 m (98.4 ft).

##### Output

Function	Current output programmable for flow, sound velocity or amplitude level.
Analog output	Active current output (13.2 V < open loop voltage < 15.8 V) 4 ... 20 mA 20 ... 22.5 mA, adjustable 3.6 mA, 22 mA, or 24 mA Max. 600 $\Omega$ ; for non Ex version $\geq$ 230 $\Omega$ for HART communication $\leq$ 330 $\Omega$ for Ex-version
<ul style="list-style-type: none"> <li>• Signal range</li> <li>• Upper limit</li> <li>• Signal on alarm</li> <li>• Load</li> </ul>	
<ul style="list-style-type: none"> <li>• Only PROFIBUS PA version:</li> </ul>	Analog output omitted, is replaced by digital PROFIBUS PA interface

##### Digital output 1

Function	Pulse, frequency or status output - programmable for pulses, frequency, alarm, limit or status.
<ul style="list-style-type: none"> <li>• Active or passive signal, can be configured with positive or negative logic</li> </ul>	Active: 24 V DC, $\leq$ 24 mA, $R_i = 300 \Omega$ Passive: open collector, 30 V DC, $\leq$ 200 mA
<ul style="list-style-type: none"> <li>• For explosion protection (ATEX version) and PROFIBUS PA version</li> </ul>	Only passive: open collector 30 V DC, $\leq$ 100 mA
<ul style="list-style-type: none"> <li>• Output function, configurable</li> </ul>	Pulse output <ul style="list-style-type: none"> <li>• Adjustable pulse significance <math>\leq</math> 5000 pulses/s</li> <li>• Adjustable pulse width <math>\geq</math> 0.1 ms</li> </ul> Frequency response <ul style="list-style-type: none"> <li>• <math>f_{END}</math> selectable up to 10 kHz</li> </ul> Limit for flow, totalizers, ultrasonic velocity or ultrasonic amplitude device status, flow direction

## Flow Measurement

### SITRANS F US Inline

#### Transmitter SITRANS FUS060

##### Digital output 2

Function	Relay output - programmable for alarm, limit or status indication. Switching capacity max. 5 W Max. 50 V DC, max. 200 mA DC Self-resetting fuse, $R_i = 9 \Omega$
<ul style="list-style-type: none"> <li>Relay, NC or NO contact</li> </ul>	
<ul style="list-style-type: none"> <li>For explosion protection (ATEX version)</li> </ul>	Max. 30 V DC, max. 100 mA DC, 50 mA AC (cf. EC-Type Examination certificate)
<ul style="list-style-type: none"> <li>Output function, configurable</li> </ul>	Limit for flow, ultrasonic velocity or ultrasonic amplitude flow direction device status
<ul style="list-style-type: none"> <li>Only PROFIBUS PA version:</li> </ul>	Digital output 2 omitted

##### Communication via analog output 4 ... 20 mA

<ul style="list-style-type: none"> <li>PC/laptop or HART communicator with SITRANS F flowmeter</li> </ul>	
<ul style="list-style-type: none"> <li>Load with connection of coupling module</li> </ul>	min. 230 $\Omega$ (max. 330 $\Omega$ for Ex-version)
<ul style="list-style-type: none"> <li>Load with connection of HART communicator</li> </ul>	min. 230 $\Omega$
<ul style="list-style-type: none"> <li>Cable</li> </ul>	2-wire shielded $\leq 3$ km ( $\leq 1.86$ miles) Multi-core shielded $\leq 1.5$ km ( $\leq 0.93$ miles)
<ul style="list-style-type: none"> <li>Protocol</li> </ul>	HART, version 5.1

##### Communication via PROFIBUS PA interface

<ul style="list-style-type: none"> <li>Power supply</li> </ul>	Layers 1 + 2 according to PROFIBUS PA Communication system according to IEC 61158/EN 50170 Separate supply, four-wire device Permissible bus voltage 9 ... 32 V See certificates and approvals
<ul style="list-style-type: none"> <li>Current consumption from bus</li> </ul>	10 mA; $\leq 15$ mA in event of error with electronic current limiting

##### Electrical isolation

Outputs electrically isolated from power supply and from one another

##### Accuracy

Error in measurement (at reference conditions)	
<ul style="list-style-type: none"> <li>Pulse output</li> </ul>	$\leq \pm 0.5$ % of measured value at 0.5 ... 10 m/s or $\leq \pm 0.25/V[m/s]$ % of measured value at flow $< 0.5$ m/s
<ul style="list-style-type: none"> <li>Analog output</li> </ul>	As pulse output plus $\pm 0.1$ % of measured value, $\pm 20 \mu A$
<ul style="list-style-type: none"> <li>Repeatability</li> </ul>	$\leq \pm 0.25$ % of measured value at 0.5 ... 10 m/s
Reference conditions (water)	
<ul style="list-style-type: none"> <li>Process temperature in the connected sensor</li> </ul>	25 °C $\pm 5$ °C (77 °F $\pm 9$ °F)
<ul style="list-style-type: none"> <li>Ambient temperature at the transmitter</li> </ul>	25 °C $\pm 5$ °C (77 °F $\pm 9$ °F)
<ul style="list-style-type: none"> <li>Transmitter warming-up time</li> </ul>	30 min.
Installation conditions of connected sensor	Upstream section $> 10 \times DN$ and downstream section $> 5 \times DN$

##### Rated operation conditions

<u>Ambient conditions</u>	
Ambient temperature	
<ul style="list-style-type: none"> <li>Operation</li> </ul>	-20 ... +50 °C (-4 ... +122 °F) Observe temperature classes
<ul style="list-style-type: none"> <li>In potentially explosive atmospheres</li> </ul>	
<ul style="list-style-type: none"> <li>Storage</li> </ul>	-25 ... +80 °C (-13 ... +176 °F)
Enclosure rating	IP65 (NEMA 4)
Electromagnetic compatibility	For use in industrial environments
<ul style="list-style-type: none"> <li>Emitted interference</li> </ul>	To EN 55011/CISPR-11
<ul style="list-style-type: none"> <li>Noise immunity</li> </ul>	To EN/IEC 61326-1 (Industry)
<u>Medium conditions</u>	
<ul style="list-style-type: none"> <li>Process temperature</li> </ul>	-200 ... +250 °C (-328 ... +482 °F) (not directly influenced by medium temperature)
<ul style="list-style-type: none"> <li>Gases/solids</li> </ul>	Influence accuracy of measurement (approx. max. 3 % gases or solids)

##### Design

Separate version	Transmitter is connected to the transducers via 3 ... 120 m (9.8 ... 395 ft) long specially shielded cables (coaxial cable) For ATEX versions mounted in the Ex area only with 3 m (9.8 ft) long cables.
Enclosure material	Die-cast aluminum, painted
Wall mounting bracket (standard and special)	Stainless steel (standard: always incl.)
Weight of transmitter	4.4 kg (9.7 lb)
Electrical connection	Cable glands (always incl.) <ul style="list-style-type: none"> <li>Power supply and outputs <ul style="list-style-type: none"> <li>2 x M20 (HART)/M25 (PROFIBUS) or</li> <li>2 x 1/2"-NPT (HART)</li> </ul> </li> <li>Transducers/sensor <ul style="list-style-type: none"> <li>2/4 x M16 or</li> <li>2/4 x 1/2" NPT</li> </ul> </li> </ul>

##### Displays and controls

Display	LCD, two lines with 16 characters each
<ul style="list-style-type: none"> <li>Multi-display:</li> </ul>	2 freely-selectable values are displayed simultaneously in two lines
Operation	4 infrared keys, hierarchical menu shown with codes

##### Power supply

Supply voltage	
<ul style="list-style-type: none"> <li>Standard version</li> </ul>	120 ... 230 V AC $\pm 15$ % (50/60 Hz) or 19 ... 30 V DC/21 ... 26 V AC
<ul style="list-style-type: none"> <li>Ex version</li> </ul>	19 ... 30 V DC/21 ... 26 V AC
Power failure	No effect for at least 1 period ( $> 20$ ms)
Power consumption	Approx. 10 VA/10 W

##### Certificates and approvals

Explosion protection	ATEX II 2 G Ex dem [ia/ib] IIC T6/T4/T3 Gb T6 for media $< 85$ °C (185 °F) T5 for media $< 100$ °C (212 °F) T4 for media $< 135$ °C (275 °F) T3 for media $< 200$ °C (392 °F)
----------------------	---

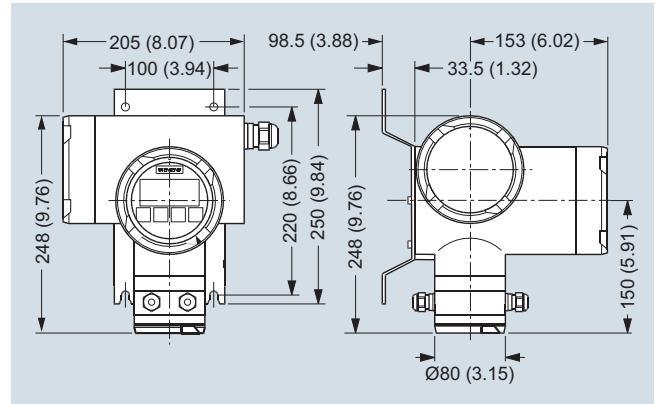
**Coaxial cable**

<b>Standard Coaxial cable (75 Ω)</b>	Coaxial cable with SMB straight plug on one end for connection to the FUS060
Outside diameter	Ø 5.8 mm
Length	3, 15, 30, 60, 90, 120 m (9.84, 49.21, 98.43, 196.85, 295.28, 393.70 ft) between sensor and transmitter
Material (outside jacket)	black PE
Ambient temperature	-10 ... +70 °C (14 ... 158 °F)

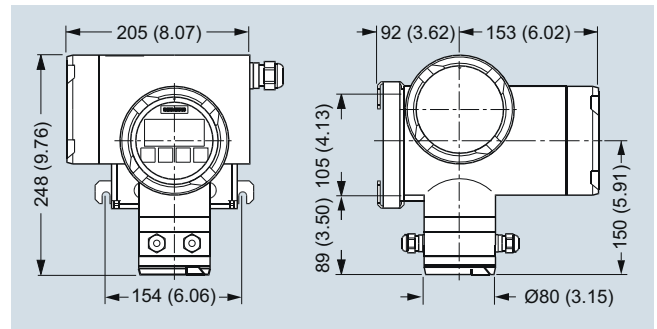


<b>High temperature Coaxial cable (75 Ω)</b>	Coaxial cable with SMB straight plug on one end for the connection to FUS060
Outside diameter	Ø 5.13 mm (first 0.3 m (0.98 ft) part to the transducer), Ø 5.8 mm (for remaining cable to the transmitter - with SMB plug at the end) and between these is a black hot melt junction Ø 16 mm (length 70 mm)
Length	3, 15, 30, 60, 90, 120 m (9.84, 49.21, 98.43, 196.85, 295.28, 393.70 ft) between sensor and transmitter (max 3 m 9.84 ft) transducer cable length for Ex area mounted transmitters)
Material (outside jacket)	Brown PTFE (0.3 m (0.98 ft) part) and black PE (for remaining cable)
Ambient temperature	-200 ... +200 °C (-328 ... +392 °F) (brown PTFE transducer part) and -10 ... +70 °C (14 ... 158 °F) (black PE for remaining transmitter cable part)

**Dimensional drawings**

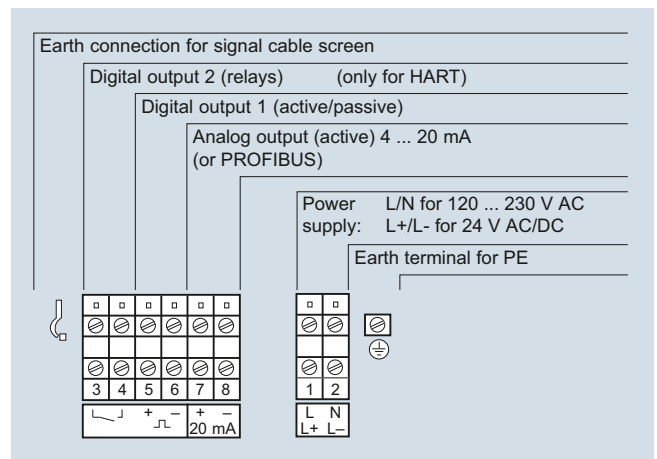


SITRANS FUS060 with standard mounting bracket, dimensions in mm (inch)



SITRANS FUS060 with optional special mounting bracket, dimensions in mm (inch)

**Schematics**



Electrical connection SITRANS FUS060

## Flow Measurement

### SITRANS F US Inline

#### Transmitter SITRANS FUS060

#### Transmitter FUS060 operating instructions, accessories and spare parts




##### Operating instructions

Description	Article No.
• English	<b>A5E01204521</b>
• German	<b>A5E02123845</b>


This device is shipped with a Quick Start guide and a CD containing further SITRANS F US literature.

All literature is available to download for free, in a range of languages, at [www.siemens.com/processinstrumentation/documentation](http://www.siemens.com/processinstrumentation/documentation)

##### Accessories

Description	Article No.	
Standard wall mounting bracket	<b>7ME5933-0AC04</b>	
Special wall-/pipe mounting bracket kit	<b>7ME5933-0AC05</b>	
Safety clamp for electronic cover with glass plate (7ME5933-0AC01)	<b>7ME5933-0AC06</b>	

##### Process Device Manager SIMATIC PDM

<b>SIMATIC PDM</b> Details about the SIMATIC PDM tool can be found on page 8/9, chapter "Communication and Software"	<b>See page 8/17, chapter "Communication and Software"</b>	
---	--	---


##### HART modem for communication with FUS060 HART, PC and SIMATIC PDM

<b>HART modem</b> With USB connection	<b>7MF4997-1DB</b>	
--	--------------------	--









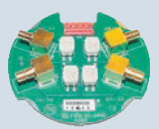

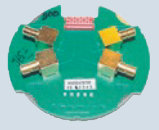


##### Spare parts

SITRANS FUS060 transmitter, available standard and Ex versions

**The transmitter configuration is made in the flowmeter Order codes (together with the sensors). The information below is for spare part ordering only and with fixed standardized pre-settings for a DN 2000 2-path system.**

Description	Version	Enclosure	Supply	Article No.	
FUS060, 230 V, HART, Metric cable glands	Transmitter for remote connection	IP65 (NEMA 4)	115 ... 230 V AC 50/60 Hz	<b>7ME3050-2BA10-1BA1</b>	
FUS060, 230 V, HART, Imperial cable glands	Transmitter for remote connection	IP65 (NEMA 4)	115 ... 230 V AC 50/60 Hz	<b>7ME3050-2BA10-1BA2</b>	
FUS060, 230 V, PROFIBUS, Metric cable glands	Transmitter for remote connection	IP65 (NEMA 4)	115 ... 230 V AC 50/60 Hz	<b>7ME3050-2BA10-1DA1</b>	
FUS060, 230 V, PROFIBUS, Imperial cable glands	Transmitter for remote connection	IP65 (NEMA 4)	115 ... 230 V AC 50/60 Hz	<b>7ME3050-2BA10-1DA2</b>	
FUS060, 24 V, HART, Metric cable glands	Transmitter for remote connection	IP65 (NEMA 4)	19 ... 30 V DC/ 21 ... 26 V AC	<b>7ME3050-2BA20-1BA1</b>	
FUS060, 24 V, HART, Imperial cable glands	Transmitter for remote connection	IP65 (NEMA 4)	19 ... 30 V DC/ 21 ... 26 V AC	<b>7ME3050-2BA20-1BA2</b>	
FUS060, 24 V, PROFIBUS, Metric cable glands	Transmitter for remote connection	IP65 (NEMA 4)	19 ... 30 V DC/ 21 ... 26 V AC	<b>7ME3050-2BA20-1DA1</b>	
FUS060, 24 V, PROFIBUS, Imperial cable glands	Transmitter for remote connection	IP65 (NEMA 4)	19 ... 30 V DC/ 21 ... 26 V AC	<b>7ME3050-2BA20-1DA2</b>	
FUS060, ATEX, 24 V, HART, Metric cable glands	Transmitter for remote connection	IP65 (NEMA 4) ATEX approval	19 ... 30 V DC/ 21 ... 26 V AC	<b>7ME3050-2BA21-1CA1</b>	

Ordering of pre-configured FUS060 spare transmitters only via PVR (product variation request - special request)

Description	Article No.		Description	Article No.	
Operating/Display module	<b>7ME5933-0AC00</b>		M20 cable gland set for FUS060 ATEX version power and output connection, PA plastic, 1 x in blue (ATEX Ex i) and 1 x gray (ATEX Ex-e) • cables Ø 5 ... 9 mm (0.20" ... 0.35") • -20 ... +95 °C (-4 ... +203 °F)	<b>A5E02246356</b>	
Electronics cover with glass plate (non Ex) . Die cast aluminum, with corrosion-resistant Basic Polyester powder coating (min. 60 µm)	<b>7ME5933-0AC01</b>		1/2" NPT cable gland set for FUS060 (NPT) power and output connection, gray PA plastic, 2 pcs. • cables Ø 6 ... 12 mm (0.24" ... 0.47") • -40 ... +100 °C (-40 ... +212 °F)	<b>A5E02246396</b>	
Cover for sensor cable and gasket. Die cast aluminum, with corrosion-resistant Basic Polyester powder coating (min. 60 µm)	<b>7ME5933-0AC02</b>		M25 cable gland set for the FUS060 PA (M25) power and output connection, gray PA plastic, 2 pcs. • cables Ø 9 ... 16 mm (0.35" ... 0.63") • -40 ... +100 °C (-40 ... +212 °F)	<b>A5E02246378</b>	
Cover for mains supply/communication. Die cast aluminum, with corrosion-resistant Basic Polyester powder coating (min. 60 µm)	<b>7ME5933-0AC03</b>		M16x1.5 cable gland set for FUS060 (M16) sensor connection, gray PA plastic, 2 pcs. and 2 pcs. blind. • cables Ø 5 ... 9 mm (0.20" ... 0.35") • -40 ... +100°C (-40 ... +212 °F)	<b>A5E02593526</b>	
FUS060 Sensor connection PCBA, Standard versions only, 1 pc.	<b>A5E02551331</b>		M16 x 1.5 cable gland set for FUS060 (M16) sensor connection, brass chrome, 2 pcs. and 2 pcs. blind • cables Ø 5 ... 9 mm (0.20" ... 0.35") • -20 ... +105°C (-4 ... +221 °F)	<b>A5E02246369</b>	
FUS060 Sensor connection PCBA, ATEX version only, 1 pc.	<b>A5E02551334</b>		1/2" NPT cable gland set for FUS060 (NPT) sensor connection, 4 pcs. M16 bush to 1/2" NPT and 4 pcs. 1/2" NPT gray PA plastic glands • cables Ø 5 ... 9 mm (0.20 ... 0.35") • -20 ... +100 °C (-4 ... +212°F)	<b>A5E02247877</b>	
M20 cable gland set for FUS060 (M20) power and output connection, gray PA plastic, 2 pcs. • cables Ø 6 ... 12 mm (0.24" ... 0.47") • -40 ... +100 °C (-40 ... +212 °F)	<b>A5E02246350</b>				



## Flow Measurement

### SITRANS F US Inline

#### Transmitter SITRANS FUS060

##### Cables for FUS060

Description	Length m (ft)	Article No.
Coaxial cable for FUS060, (75 Ω, max. 70 °C (158 °F), black PVC) (2 pcs.)	3 (9.84)	<b>A5E00875101</b>
	15 (49.21)	<b>A5E00861432</b>
	30 (98.43)	<b>A5E01278662</b>
	60 (196.85)	<b>A5E01278682</b>
	90 (295.28)	<b>A5E01278687</b>
	120 (393.70)	<b>A5E01278698</b>
High temp. coaxial cable for FUS060; with 0.3 m brown PTFE high temp. transducer part, max. 200 °C (392 °F) and black PVC for remaining transmitter part with SMB plug, max. 70 °C (158 °F), impedance 75 Ω (2 pcs.)	3 (9.84)	<b>A5E00875105</b>
	15 (49.21)	<b>A5E00861435</b>
	30 (98.43)	<b>A5E01196952</b>
Special coaxial cable sets for low temperature cryogenic systems; with SMB plug for transmitter SITRANS FUS060, PTFE material, temp. -200 ... +200 °C (-328 ... +392 °F), impedance 75 Ω (2 pcs.)	10 (32.84)	<b>A5E02085593</b>
	15 (49.21)	<b>A5E03262088</b>
	30 (98.43)	<b>A5E02085644</b>
	40 (131.23)	<b>A5E02085649</b>

