

Please fax to: +49 (0) 22 96 / 99 99 642 or send via e-mail to: sales@tecmara.de

**Contact Data**

<b>Company</b>	_____	<b>Project</b>	_____
<b>Name</b>	_____	<b>Inquiry No.</b>	_____
<b>Phone</b>	_____	<b>Date</b>	_____
<b>Fax</b>	_____	<b>Email</b>	_____

**Requested Design Data**

**State of Aggregation**       liquid

**Medium**      name \_\_\_\_\_      formula \_\_\_\_\_  
concentration \_\_\_\_\_

**Rated Pressure**      \_\_\_\_\_ bar

**Operating Pressure**      **inlet** \_\_\_\_\_ [ \_\_\_\_\_ ] unit      **outlet** \_\_\_\_\_ [ \_\_\_\_\_ ] unit

**Operating Temperature**      \_\_\_\_\_ [ \_\_\_\_\_ ] unit

**Design Temperature**      \_\_\_\_\_ [ \_\_\_\_\_ ] unit

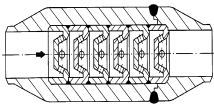
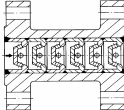
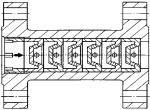
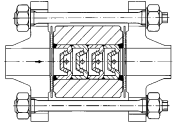
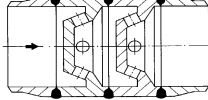
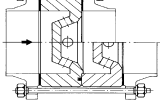
**Density**      \_\_\_\_\_ [ \_\_\_\_\_ ] unit

**Viscosity**      \_\_\_\_\_ [cSt.]      at \_\_\_\_\_ [°C]

**Flow Rate**      \_\_\_\_\_ [ \_\_\_\_\_ ] unit

**Connection**       DIN       ANSI      DN \_\_\_\_\_

**Throttle Type**

<input type="checkbox"/> SSD 1	<input type="checkbox"/> SSD 2	<input type="checkbox"/> SSD 3
		
<input type="checkbox"/> SSD 4	<input type="checkbox"/> SSD 5	<input type="checkbox"/> SSD 6
		

**Material Housing**      \_\_\_\_\_ (SSD 1, 2, 3 and 4 only)

**Material Throttle**      \_\_\_\_\_ (1.4581 is standard)

**Quantity Multiport Throttle**      \_\_\_\_\_ [pieces]

**Certificate / Inspection**      \_\_\_\_\_

**Notes / Supplies / Specification / Documentation / Painting / Others**

\_\_\_\_\_

\_\_\_\_\_

\_\_\_\_\_

\_\_\_\_\_

\_\_\_\_\_

\_\_\_\_\_

\_\_\_\_\_